

FACC Operations GmbH

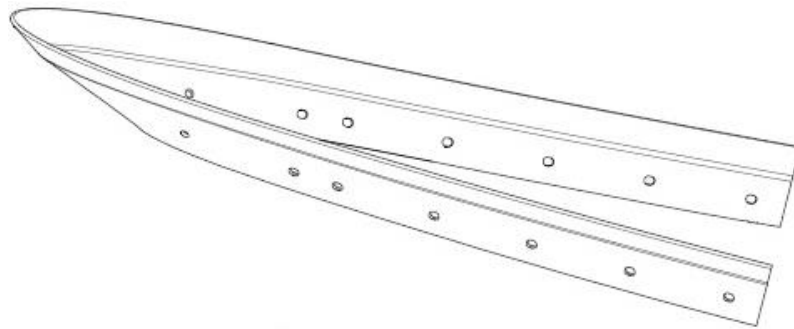
Fischerstrasse 9,

A-4910 Ried im Innkreis, AUSTRIA

# SERVICE INFORMATION LETTER

SUBJECT: Wings – Flap Track Fairing – Lip Seals

DOC. NO.: E190-57-50-0038



REVISION RECORD:

REVISION	DATE	PAGE	CHANGES
NC	08.10.2020	All	Initial Release

This document supersedes all previous revisions.

PROPRIETARY

This document contains information which is proprietary to FACC.

Any reproduction, disclosure or use of this information, without FACC's prior written consent, is expressly prohibited!

## 1. EFFECTIVITY

The MSN relationship is provided for information only and is correct at the time of issue in accordance with the information available to FACC.

Aircraft Type	Effectuated MSNs	Part Numbers (P/N) installed
E190 / E195	all with the P/N installed →	190-92766-901, 190-92766-902, 190-92767-901, 190-92767-902, 190-92768-901, 190-92768-902

## 2. REASON FOR THIS SERVICE INFORMATION LETTER

To inform operators and maintenance organizations about the possibility to replace the existing Forward Flap Track Fairing Lip Seals with the improved FACC E1 Forward Flap Track Fairing Lip Seals and to give a reference to the necessary replacement instructions and EASA DO approval documents.

Benefit from the significant improved meantime between unscheduled removal (MTBUR) due to the new seal material used, which was changed from silicone to polyurethane and the new layout design which improves the erosion resistance of the seals.

## 3. DESCRIPTION

The FACC E1 Forward Flap Track Fairing Lip Seals can be purchased as kit.

DESCRIPTION	KIT P/N	KIT CONSISTS OF P/N	PRICE (\$)
Pair of Lip Seals FFTF 2	190-60210-200	190-60210-201, 190-60210-202	On request
Pair of Lip Seals FFTF 3	190-60310-200	190-60310-201, 190-60310-202	On request
Pair of Lip Seals FFTF 4	190-60410-200	190-60410-201, 190-60410-202	On request

For the installation and removal of the FACC E1 Forward Flap Track Fairing Lip Seals we have issued corresponding instructions for continuous airworthiness in terms of AMM and AIPC Supplements as follows:

#	Doc Type	Doc. Number	Rev.	Description
1	ICA	FACC-57-50-01_AMM	NC	AMM SUPPLEMENT FFTF LIP SEAL
2	ICA	FACC-57-50-01_AIPC	NC	AIPC SUPPLEMENT FFTF LIP SEAL

All documents will be supplied with the purchase of the components.

## 4. APPROVAL

The ICA documents listed under chapter 3 are approved with:

#	Doc Type	Doc. Number	Rev.	Description
3	CDO	CDO_1_0008_18-1495	B	CHANGE DESIGN ORDER (Minor Change)

THE TECHNICAL CONTENT OF THIS DOCUMENT IS APPROVED UNDER THE AUTHORITY OF THE DOA EASA.21J.276.